



Pergola & Glass Systems

BIOCLIMATIC SYSTEM



ALUMINIUM PERGOLA SYSTEM

INTRODUCTION

Bioclimatic Pergola is a waterproof shading system. Rotating lamellae and system are completely made of aluminium. Provides protection from sunlight on sunny days. With its special feature Provides protection from rain water or snow.

We provide colors and the possibility of being different adding, with the diversity of modern design (Led, rain, wind, snow sensors etc.)

Using areas of Bioclimatic Pergola: homes, hotels facilities, restaurants and cafes.

Pergola & Glass Systems





DESIGN

Bioclimatic

Bioclimatic Pergola minimizes the noise that may occur during operation. The movement of the lamellae becomes 100° owing to engines. The motorized system that allows the free movement of the lamellae is located inside the system. Prevention of noise caused by lamellae with the use of gaskets. And water which may leak through on one side with strap. Lamella are collected on one side owing to strap. There are led channels in the interior of the gutter. Led light can be changed through RGB. And also light adjustable owing to dimmer. It is used in large areas by bringing the system side by side.

Choose from a variety of automatic options
Possibility systems:

- led lightning
- Rain or wind sensor
- Infrared heating
- Transmitter and central control
- Smartphone control
- Temperature sensor
- Snow sensor
- Rain sensor

INTRODUCTION

LAMELLA MOVEMENT

Provides maximum air using of the pergola at different times, free rotation of the lamella between 0° and 100°.



Provides protection from all weather conditions the roof remains closed.

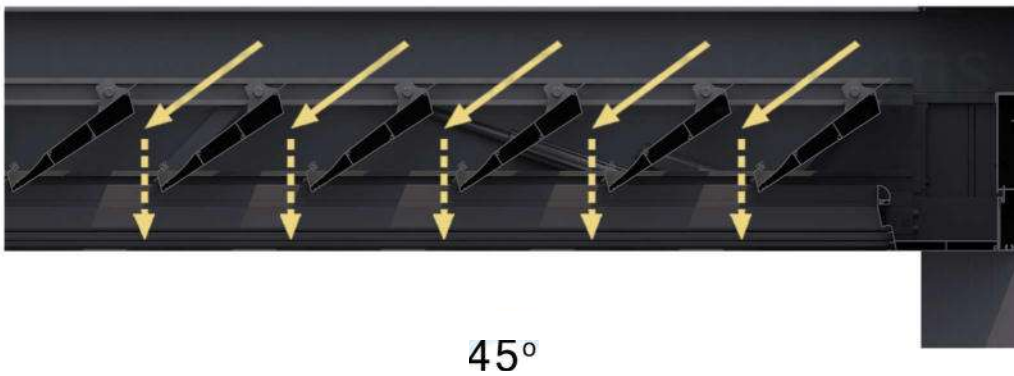


Provide the ventilation of the area even if it is raining or snowing.

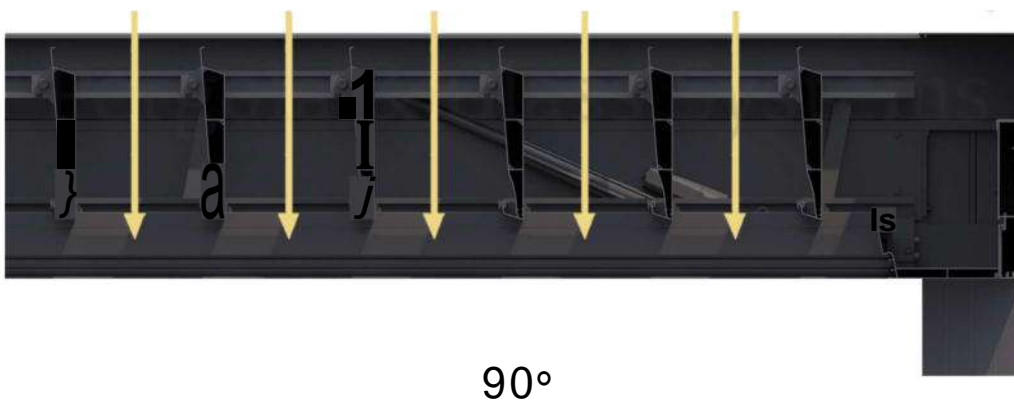
INTRODUCTION

LAMELLA MOVEMENT

Provides maximum air using of the pergola at different times, free rotation of the lamella between 0° and 100°.



Allows the sunlight to enter, still controls the lighting



Permits full use of the sunlight.